

2.000 - 12.000 l/h

Typical applications

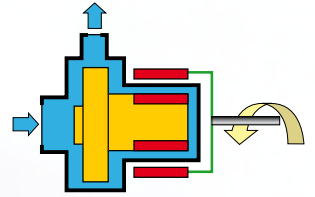
- Ideal for clean or slightly contaminated acids and alkalines
- Suitable for most plating solutions
- Not suitable for electroless nickel and abrasive solutions or solutions which contain ferrous particles

Features

- Magnetic drive
- Sealless, therefore leakfree
- Provide extra safety factor for aggressive and expensive liquids
- Standard with GF union connections with a choice of sockets, available in PP, PVDF and CPVC
- Max. temp. PP 80°C / 176°F, PVDF 100°C / 212°F
- Motor with two component Polyurethane coating for excellent chemical resistance

Options

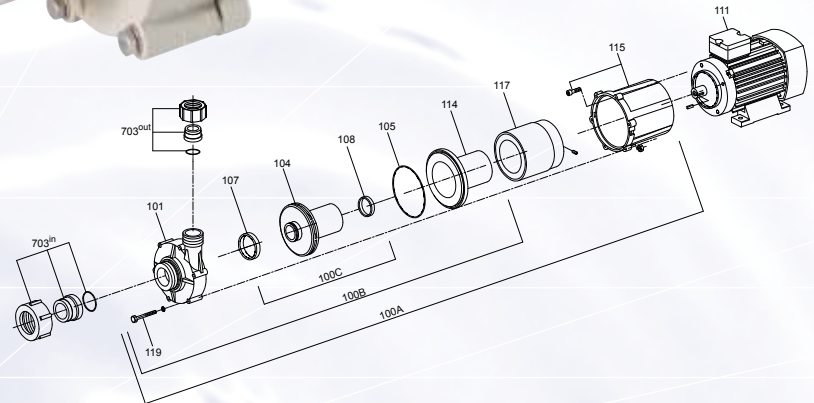
- Hose adapters
- Flanges
- Priming chamber
- Dry run protection



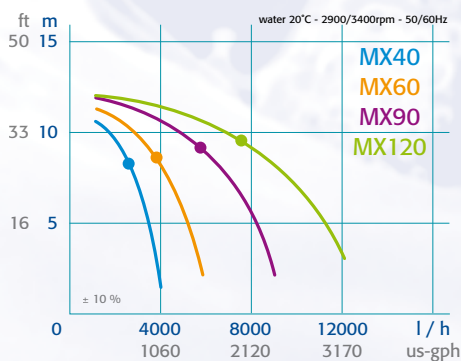
MX90
self priming



MX60



Magnetic drive pumps MX40 .. 120 - PP/PVDF



Type	Motor kW HP	Max SG at BEP	Net weight kg	In d/DN	Out d/DN
MX40	0,18* 1/4	1,1	7	32/25	25/20
MX60	0,25* 1/3	1	7	32/25	25/20
MX61	0,37* 1/2	1,3	10	32/25	25/20
MX62	0,55 3/4	1,5	11	32/25	25/20
MX90	0,37 1/2	1,2	10	32/25	25/20
MX91	0,55 3/4	1,4	11	32/25	25/20
MX120	0,55 3/4	1,3	11	40/32	32/25

* For 3-phase motors < 220V the indicated motor will be one size bigger.

d/DN=OD/ID metric size pipe

Best Efficiency Point (BEP)

www.hendor.com

